



Replacement of the flexible waste pipe (MN0771-ND) of the AM101/1500L WC module

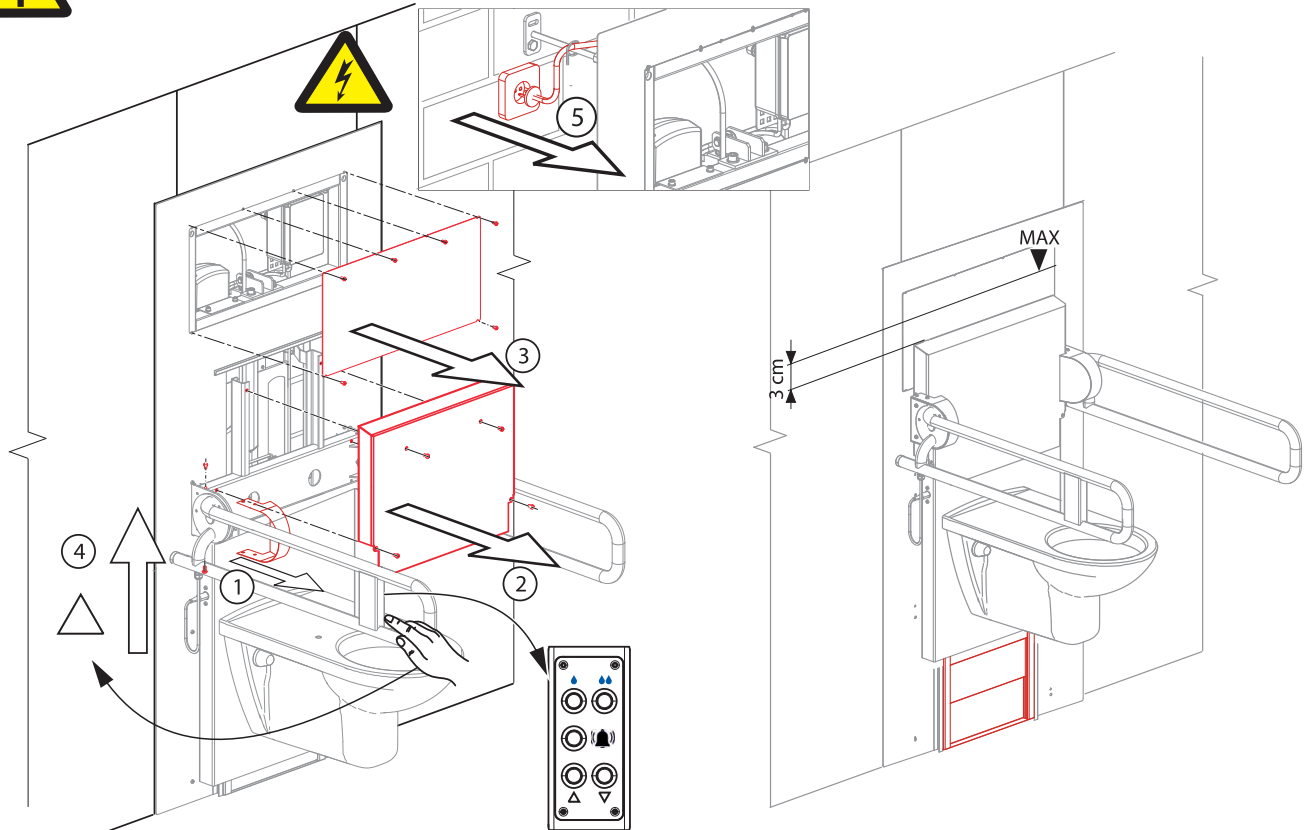
1. Displace the WC upwards to the position approximately of 3 cm under the upper limit of the lifting range of the device and isolate the WC module from power supply.



Instructions how to start each service of the device

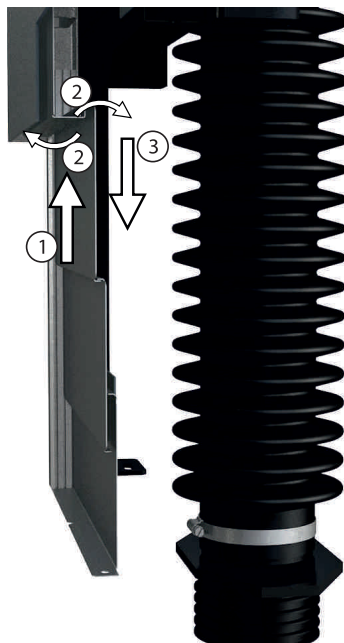


While manipulating, installing and servicing the product, use personal protective equipment (gloves, protecting working shoes...).

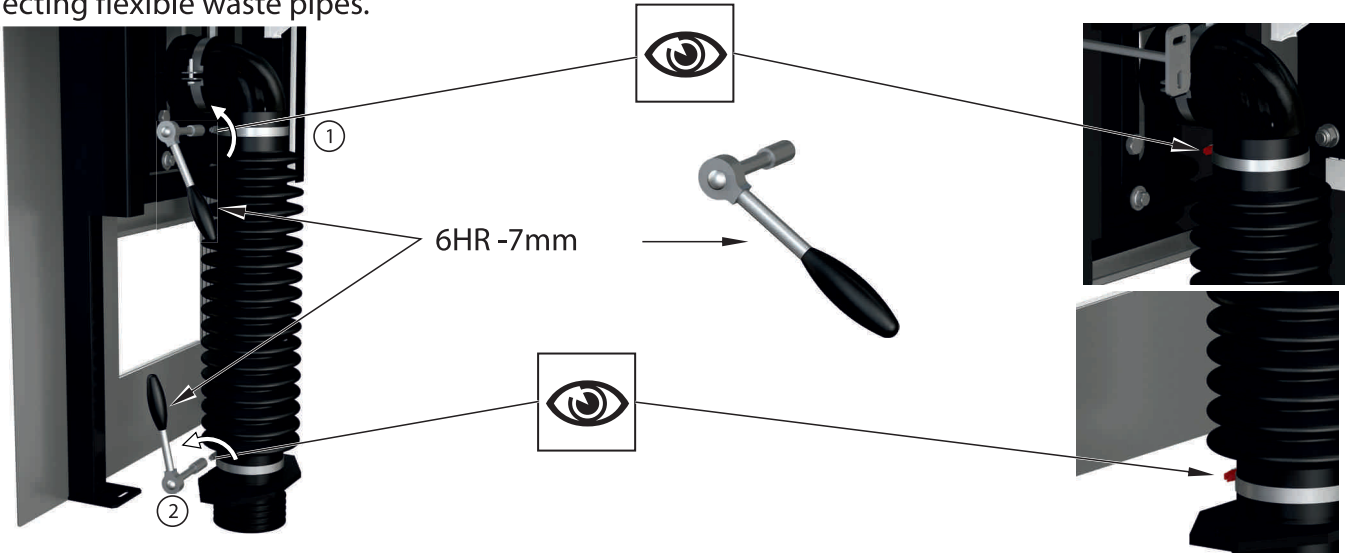


Before each work with the system (its service), isolate the system from power supply!

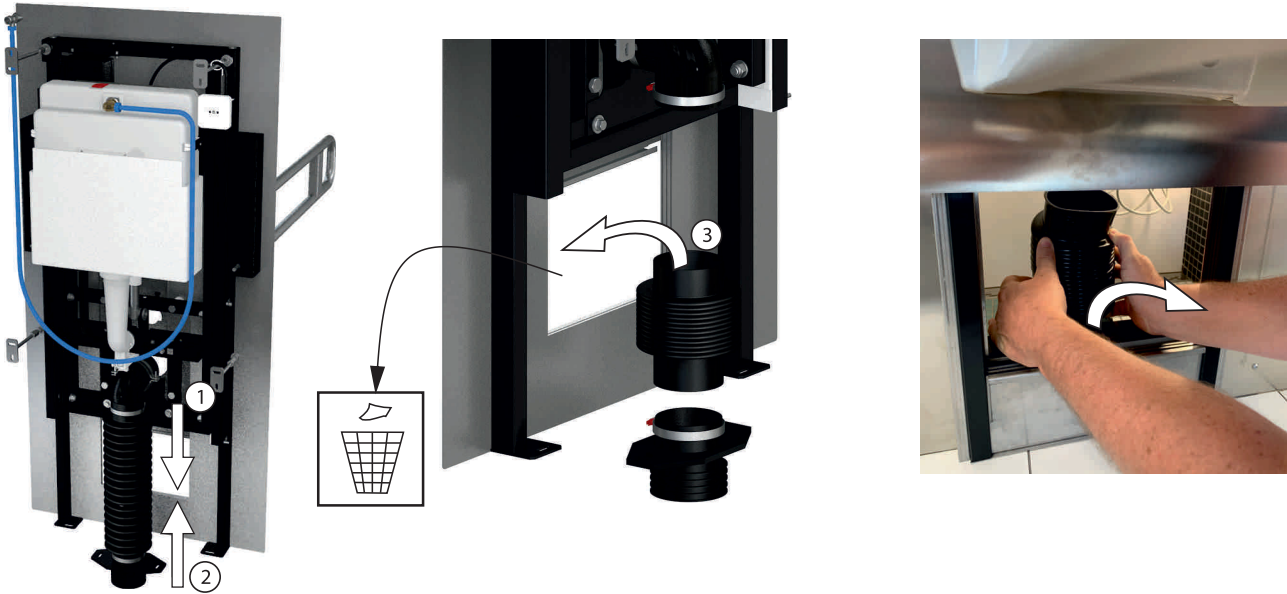
2. Open the waste cover - unhook the upper part of the telescopic cover of the service hole of the flexible WC additional waste connection, and lower the whole telescopic cover downwards



3. Remove the flexible waste pipe from the waste elbow and bottom flange. Loosen the upper and lower clips connecting flexible waste pipes.

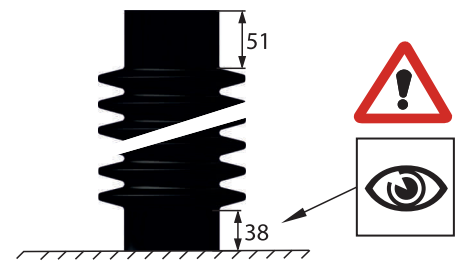
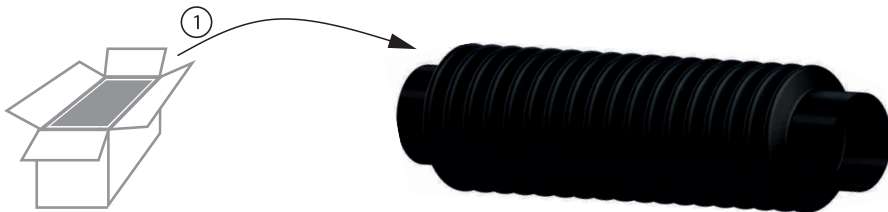


4. Remove the flexible waste pipe.

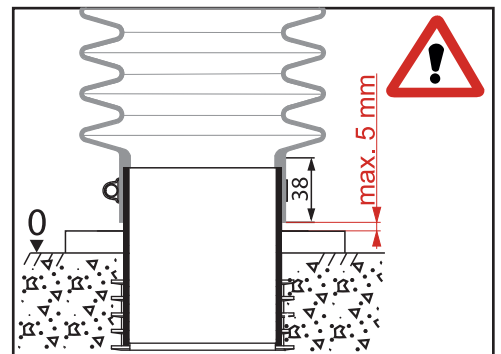


5. Install the new flexible waste pipe.

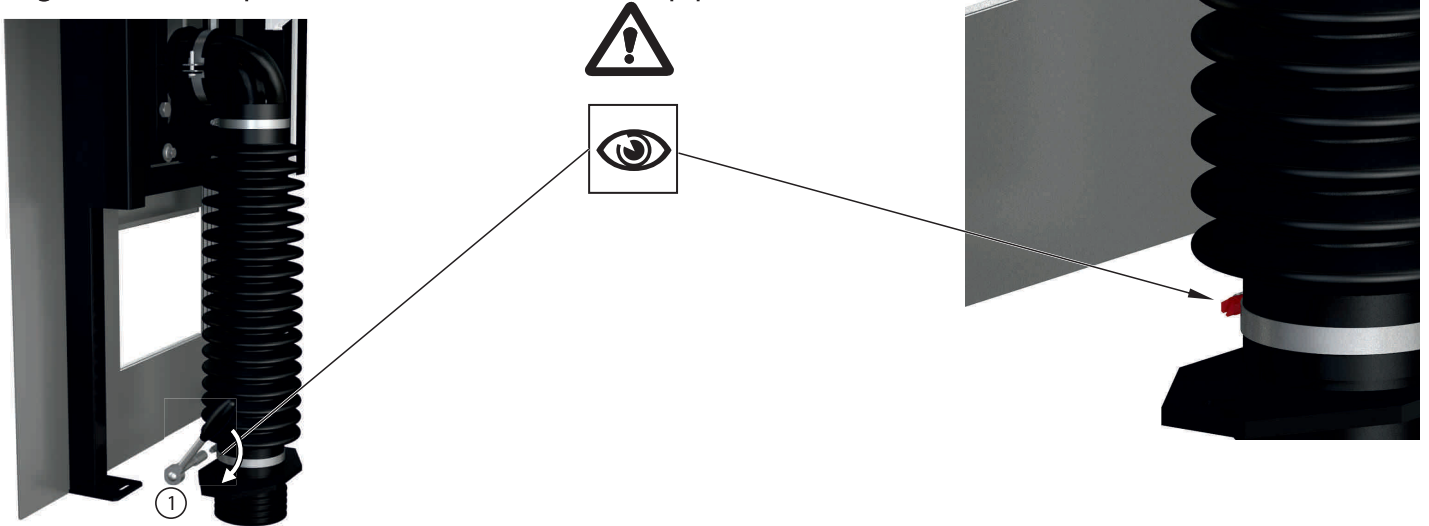
MN0771-ND



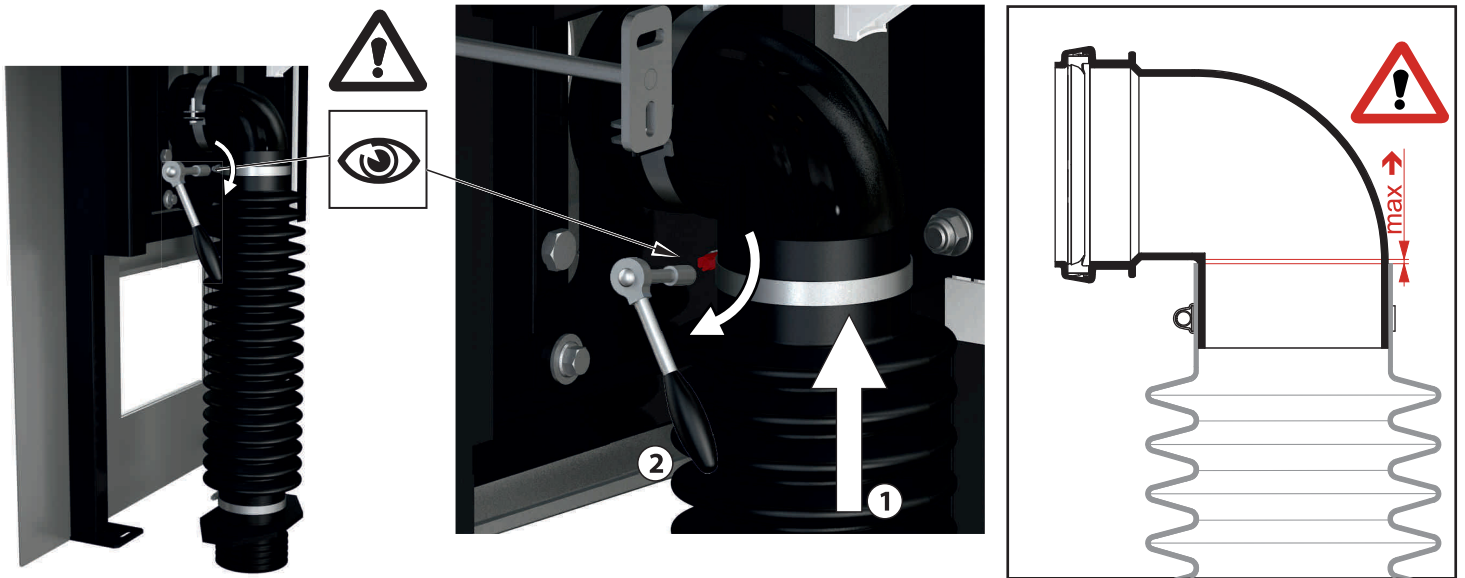
6. Check that the flexible pipe is positioned correctly on the flange. ATTENTION! Make sure the orientation of the flexible waste pipe is correct!



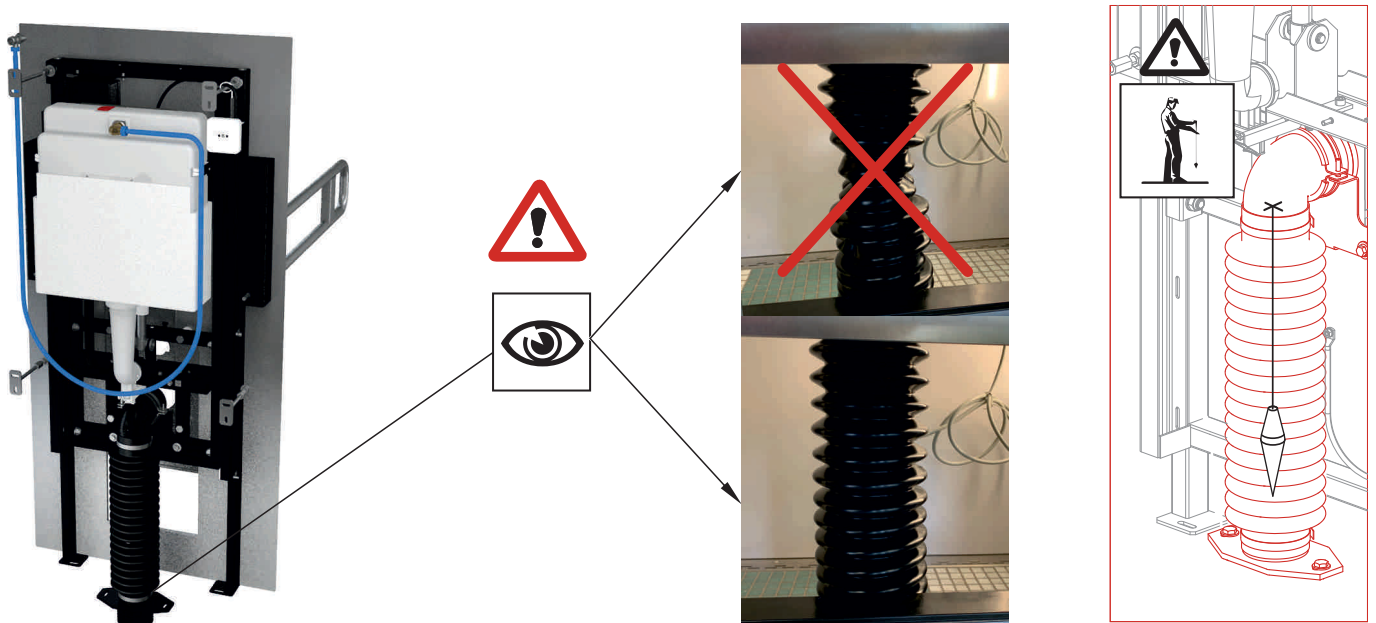
7. Tighten the clamp to connect the flexible waste pipe



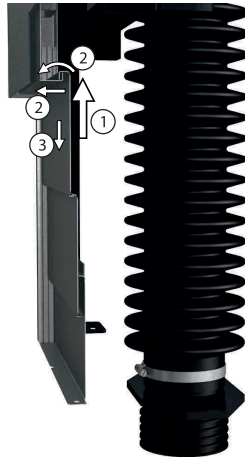
8. Put the flexible waste pipe on the toilet waste elbow up to the waste pipe fold and tighten the clamp



9. Check the alignment of the top end of the flexible waste pipe and the bottom end! Remove possible deformation on the flexible waste pipe



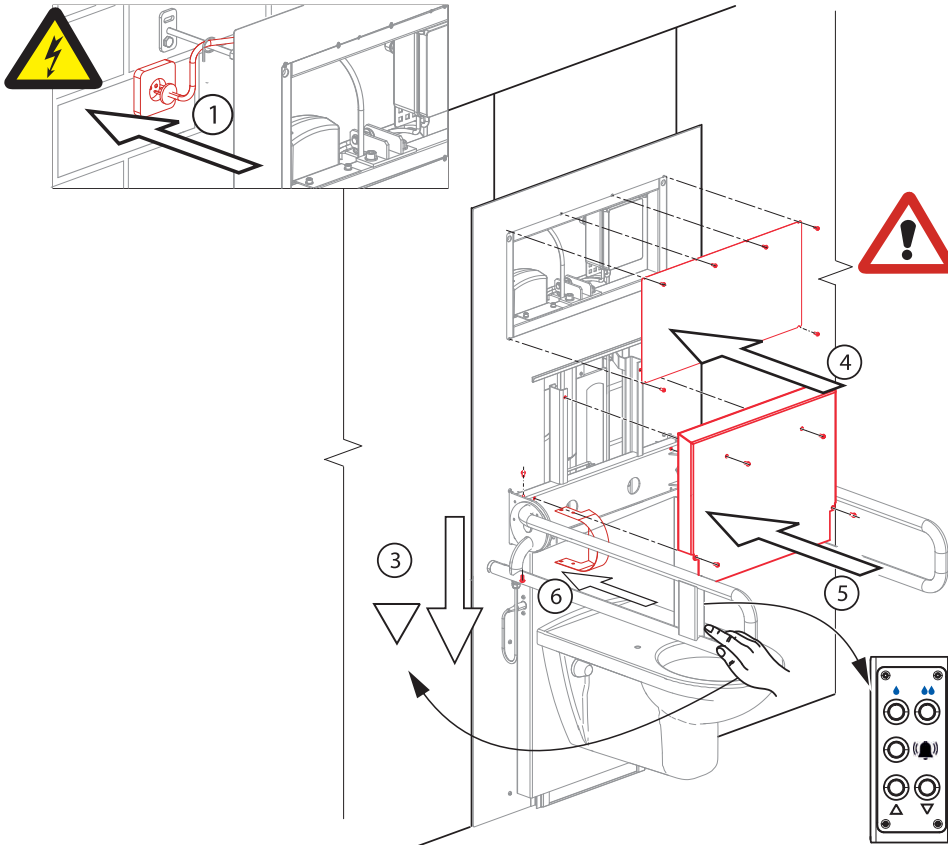
10. Close the telescopic blind of the service opening of flexible waste pipe.



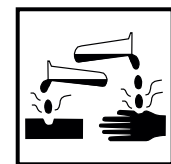
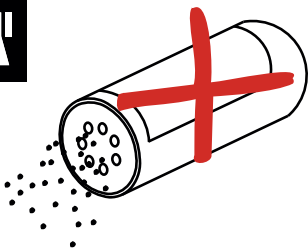
11. Connection to the mains and covering the WC module.



Instructions for finishing each service of the WC module.



After each service, it is necessary to secure all covers with all the supplied screws before putting into operation.



ŽIRAVINA / CAUSTIC / CI

